

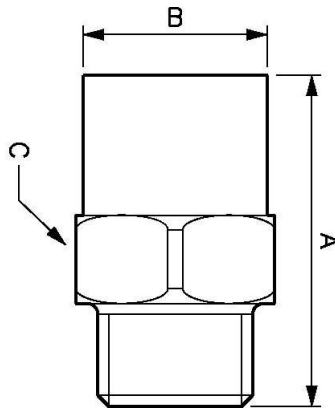
PVR RFM - PVC Straight female thread connector for colf-weld fitting or pipe



<u>Fitting ID (mm)</u> 20	<u>For pipe OD (mm)</u> 16	<u>BSP male thread</u> G 1/2	<u>Max operating pressure</u> 13 bar at 23°C 7 bar at 50°C
<u>Vacuum capability</u> -0.98 bar (vacuum 98%)	<u>Temperature</u> -20°C to +50°C	<u>Construction</u> Pipe and fittings: PVC	<u>Meets standards</u> PED REACH

Description			
Reference	Fitting ID (mm)	For pipe OD (mm)	BSP male thread
PVR RFM162012	20	16	G 1/2
PVR RFM202512	25	20	G 1/2
PVR RFM253227	32	25	G 3/4
PVR RFM324034	40	32	G 1
PVR RFM405042	50	40	G 1 1/4

Reference	Fitting ID (mm)	For pipe OD (mm)	BSP male thread
PVR RFM506349	63	50	G 1 1/2
PVR RFM637560	75	63	G 2



Dimensions

Reference	A mm	B mm	C mm
PVR RFM162012	43	20	24
PVR RFM202512	46	25	27
PVR RFM253227	50	32	36
PVR RFM324034	57	40	42
PVR RFM405042	67	50	55
PVR RFM506349	74	63	65
PVR RFM637560	84	75	75