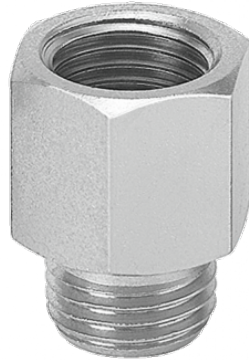


## Parallel male/female extender - A5Z



Male thread

M5

BSPP female thread

G 1/8

Operating pressure

0 to 15 bar

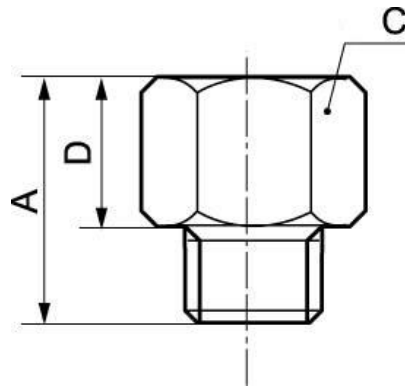
Construction

Brass and nickel-plated  
brass

### Description

Reference	Male thread	BSPP female thread
<b>A5 M518</b>	M5	G 1/8
<b>A5Z 1818</b>	G 1/8	G 1/8
<b>A5Z 1814</b>	G 1/8	G 1/4
<b>A5Z 1414</b>	G 1/4	G 1/4
<b>A5Z 1438</b>	G 1/4	G 3/8
<b>A5Z 1412</b>	G 1/4	G 1/2
<b>A5Z 3838</b>	G 3/8	G 3/8
<b>A5Z 3812</b>	G 3/8	G 1/2

Reference	Male thread	BSPP female thread
<b>A5Z 3834</b>	G 3/8	G 3/4
<b>A5Z 1212</b>	G 1/2	G 1/2



### Dimensions

Reference	A mm	C mm	D mm
<b>A5 M518</b>	17	12	13
<b>A5Z 1818</b>	18.5	14	12.5
<b>A5Z 1814</b>	21.5	17	15.5
<b>A5Z 1414</b>	22.5	17	14.5
<b>A5Z 1438</b>	26	22	18
<b>A5Z 1412</b>	24	17	8
<b>A5Z 3838</b>	26.5	22	17.5
<b>A5Z 3812</b>	29.5	24	20.5
<b>A5Z 3834</b>	26	32	9
<b>A5Z 1212</b>	29.5	25	19.5