

Male tee piece with tapered centre - RB7



BSPT male thread

R 1/8

For tube Ø (mm)

6 x 4

Max operating pressure

15 bar

Temperature

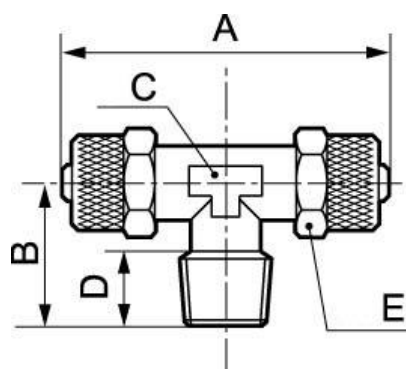
-20°C to +80°C

Construction

Nickel-plated brass

Description

Reference	BSPT male thread	For tube Ø (mm)
RB7 618	R 1/8	6 x 4
RB7 614	R 1/4	6 x 4
RB7 814	R 1/4	8 x 6
RB7 1014	R 1/4	10 x 8
RB7 1038	R 3/8	10 x 8



Dimensions

Reference	A mm	B mm	C mm	D mm	E mm
RB7 618	44	17	9	7	12
RB7 614	44	20	9	10	12
RB7 814	44	20	12	8	14
RB7 1014	50	21	12	10	16
RB7 1038	50	22	12	10	16