

Tapered straight male stud - RB1



BSPT male thread

R 1/8

For tube Ø (mm)

6 x 4

Max operating pressure

15 bar

Temperature

-20°C to +80°C

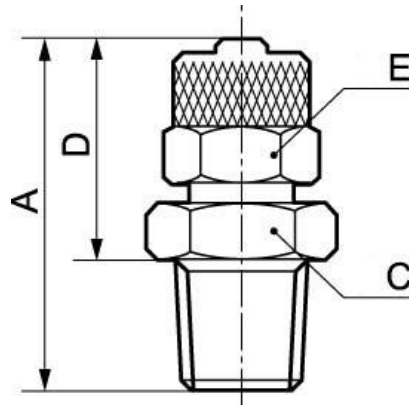
Construction

Nickel-plated brass

Description

Reference	BSPT male thread	For tube Ø (mm)
RB1 618	R 1/8	6 x 4
RB1 614	R 1/4	6 x 4
RB1 818	R 1/8	8 x 6
RB1 814	R 1/4	8 x 6
RB1 838	R 3/8	8 x 6

Reference	BSPT male thread	For tube Ø (mm)
RB1 1014	R 1/4	10 x 8
RB1 1038	R 3/8	10 x 8
RB1 1238	R 3/8	12 x 10



Dimensions

Reference	A mm	C mm	D mm	E mm
RB1 618	26.5	12	18.5	12
RB1 614	30	14	19	12
RB1 818	26.5	12	18.5	14
RB1 814	30	14	19	14
RB1 838	31	17	19.5	14
RB1 1014	32	14	21	16
RB1 1038	33	17	21.5	16
RB1 1238	35	17	23.5	19