

Tapered thread straight male stud - RO1



BSPT male thread

R 1/8

For tube OD (mm)

4

Max operating pressure

60 bar

Temperature

-40°C to +240°C

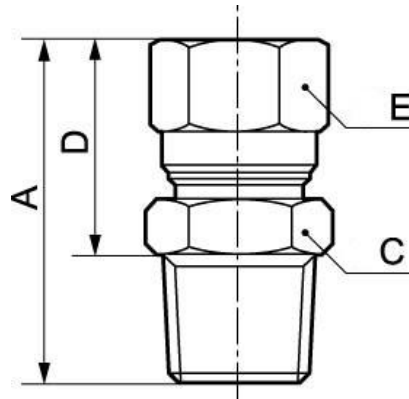
Construction

Nickel-plated brass

Description

Reference	BSPT male thread	For tube OD (mm)
RO1 418	R 1/8	4
RO1 618	R 1/8	6
RO1 614	R 1/4	6
RO1 818	R 1/8	8
RO1 814	R 1/4	8

Reference	BSPT male thread	For tube OD (mm)
RO1 838	R 3/8	8
RO1 1014	R 1/4	10
RO1 1038	R 3/8	10
RO1 1238	R 3/8	12
RO1 1212	R 1/2	12



Dimensions

Reference	A mm	C mm	D mm	E mm
RO1 418	27.5	10	19.5	10
RO1 618	28	12	20	12
RO1 614	31	14	20	12
RO1 818	30	12	22	14
RO1 814	33	14	22	14
RO1 838	33.5	17	22	14
RO1 1014	38.5	17	27.5	19
RO1 1038	39	17	27.5	19
RO1 1238	38.5	19	27	22
RO1 1212	42	22	28	22