

Equal union - RO3



For tube OD (mm)

4

Max operating pressure

60 bar

Temperature

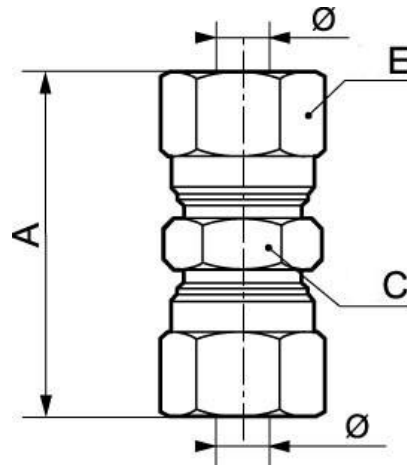
-40°C to +240°C

Construction

Nickel-plated brass

Description

| Reference | For tube OD (mm) |
|---------------|------------------|
| RO3 4 | 4 |
| RO3 6 | 6 |
| RO3 8 | 8 |
| RO3 10 | 10 |
| RO3 12 | 12 |



Dimensions

| Reference | A mm | C mm | E mm |
|---------------|------|------|------|
| RO3 4 | 35 | 10 | 10 |
| RO3 6 | 36 | 12 | 12 |
| RO3 8 | 39 | 14 | 14 |
| RO3 10 | 50 | 17 | 19 |
| RO3 12 | 50 | 19 | 22 |