

Male tee piece with tapered thread centre - RO7



BSPT male thread

R 1/8

For tube OD (mm)

4

Max operating pressure

60 bar

Temperature

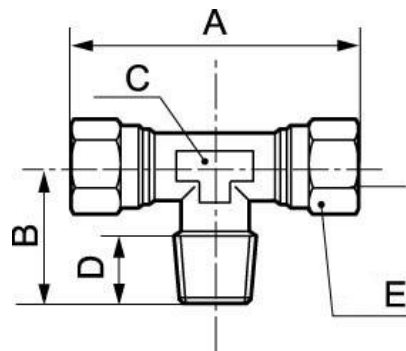
-40°C to +240°C

Construction

Nickel-plated brass

Description

Reference	BSPT male thread	For tube OD (mm)
RO7 418	R 1/8	4
RO7 618	R 1/8	6
RO7 614	R 1/4	6
RO7 818	R 1/8	8
RO7 814	R 1/4	8



Dimensions

Reference	A mm	B mm	C mm	D mm	E mm
RO7 418	41	14	8	8	10
RO7 618	44	16	9	8	12
RO7 614	48	20	11	10	12
RO7 818	64	17	11	8	14
RO7 814	67	20	11	10	14