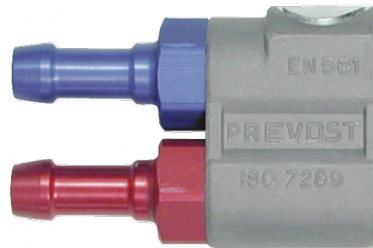


## Double extension coupler



For hose ID (mm)

6

Max operating pressure

Oxygen : 1,5 bar Acetylene :  
12,5 bar

Construction

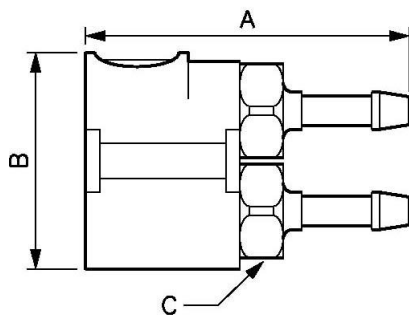
Treated steel

Applications

Welding, cutting

### Description

Reference	For hose ID (mm)
<b>SIJ 061806K</b>	6
<b>SIJ 061810K</b>	10



### Dimensions

Reference	A mm	B mm	C mm
<b>SIJ 061806K</b>	70	47	20
<b>SIJ 061810K</b>	70	47	20