

Parallel male/female reducer - A4Z



BSPM male thread

G 1/8

Female thread

M5

Operating pressure

0 to 15 bar

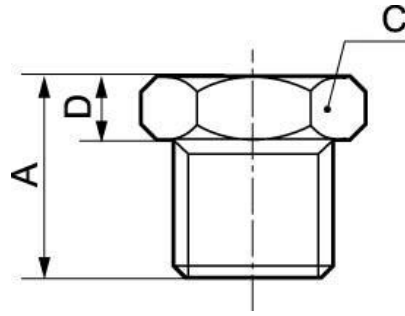
Construction

Brass and nickel-plated
brass

Description

Reference	BSPM male thread	Female thread
A4 18M5	G 1/8	M5
A4Z 1418	G 1/4	G 1/8
A4Z 3818	G 3/8	G 1/8
A4Z 3814	G 3/8	G 1/4
A4Z 1218	G 1/2	G 1/8
A4Z 1214	G 1/2	G 1/4
A4Z 1238	G 1/2	G 3/8
A4Z 3414	G 3/4	G 1/4

Reference	BSPB male thread	Female thread
A4Z 3438	G 3/4	G 3/8
A4Z 3412	G 3/4	G 1/2
A4Z 6042	G 2	G 1 1/4
A4Z 6049	G 2	G 1 1/2
A4Z 7660	G 2 1/2	G 2



Dimensions

Reference	A mm	C mm	D mm
A4 18M5	10.5	14	4.5
A4Z 1418	13	17	5
A4Z 3818	14	20	5
A4Z 3814	14	20	5
A4Z 1218	15.5	24	5.5
A4Z 1214	15.5	25	5.5
A4Z 1238	15.5	25	5.5
A4Z 3414	17	30	6
A4Z 3438	17.5	30	6.5
A4Z 3412	17.5	30	6.5
A4Z 6042	36	60	18.5
A4Z 6049	36	60	18.5
A4Z 7660	46	67	25