

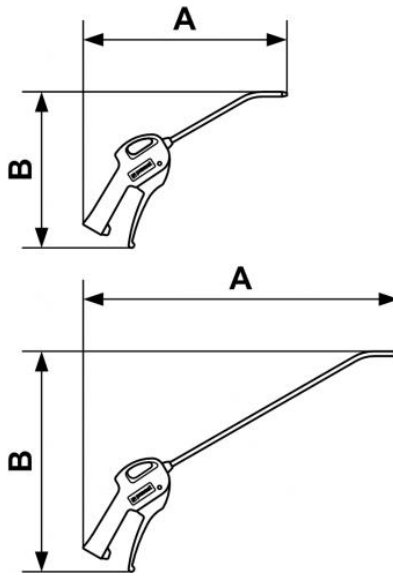
Metal nozzle blow gun



<p><u>BSPF female thread</u></p> <p>G 1/4</p>	<p><u>Air consumption (at 6 bar (Nm3/h))</u></p> <p>15</p>	<p><u>Sound level (at 6 bar (dBA))</u></p> <p>86</p>	<p><u>Bent tube length (mm)</u></p> <p>330</p>
<p><u>Max operating pressure</u></p> <p>10 bar</p>	<p><u>Construction</u></p> <p>Polyamide composite body</p>	<p><u>Highlight</u></p> <p>Adjust gradually blowing</p>	

Description				
Reference	BSPF female thread	Air consumption (at 6 bar (Nm3/h))	Sound level (at 6 bar (dBA))	Bent tube length (mm)
27102 MB13	G 1/4	15	86	330
27102 MB20	G 1/4	14.5	86	500

Reference	BSPP female thread	Air consumption (at 6 bar (Nm ³ /h))	Sound level (at 6 bar (dBA))	Bent tube length (mm)
27102 MB40OSH	G 1/4	9.4	81	1000



Dimensions

Reference	A mm	B mm
27102 MB13	367	250
27102 MB20	514	380
27102 MB40OSH	957	650