

## Rotating 3-piece tapered male union - A2T



### BSPT male thread

R 1/8

### Operating pressure

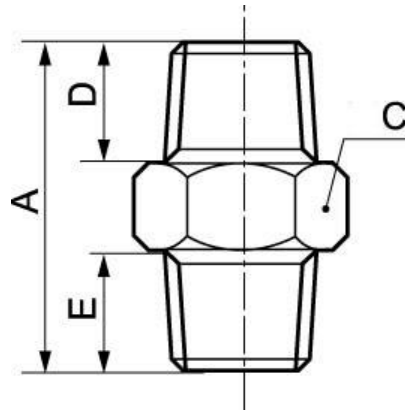
0 to 15 bar

### Construction

Brass and nickel-plated  
brass

## Description

Reference	BSPT male thread
<b>A2T 1818</b>	R 1/8
<b>A2T 1414</b>	R 1/4
<b>A2T 3838</b>	R 3/8
<b>A2T 1212</b>	R 1/2
<b>A2T 3434</b>	R 3/4
<b>A2T 0101</b>	R 1



### Dimensions

Reference	A mm	C mm	D mm	E mm
<b>A2T 1818</b>	28	15	10	10
<b>A2T 1414</b>	34	19	12	12
<b>A2T 3838</b>	37	27	13	13
<b>A2T 1212</b>	45	27	16	16
<b>A2T 3434</b>	53	36	18	18
<b>A2T 0101</b>	65	46	22	22