

Swivel fitting



BSPM male thread

G 1/2

BSPM female thread

G 1/2

Operating pressure

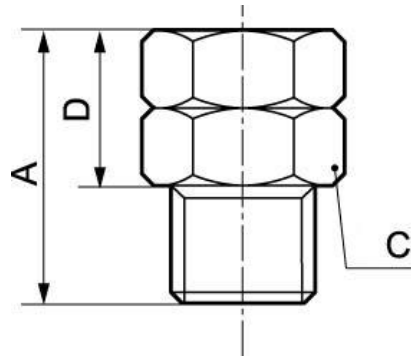
0 to 25 bar

Construction

Stainless steel 316

Description

Reference	BSPM male thread	BSPM female thread
A35 1212I	G 1/2	G 1/2
A35 1234I	G 1/2	G 3/4



Dimensions

Reference	A mm	C mm	D mm
A35 1212I	40	22	28
A35 1234I	40	30	28