

Parallel male thread valved coupler



BSPB male thread

G 1/2

Operating pressure

0 to 10 bar

Flow rate

24 l/min ($\Delta P = 0,3$ bar with shutter), 33,5 l/min ($\Delta P = 0,3$ bar without shutter)

ID Passage

9 mm

Temperature

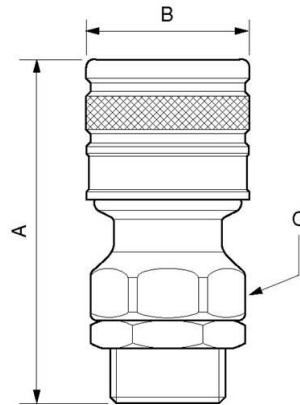
-15°C to +60°C

Construction

Brass body

Description

Reference	BSPB male thread
ELS 091153	G 1/2
ELS 091154	G 3/4



Dimensions

Reference	A mm	B mm	C mm
ELS 091153	76	35	30
ELS 091154	76	35	30