

All-purpose blow gun body



Description

Tapped body accomodates different types of nozzles

Highlight

Adjust gradually blowing

BSPP thread

G 1/8 F

Max operating

pressure

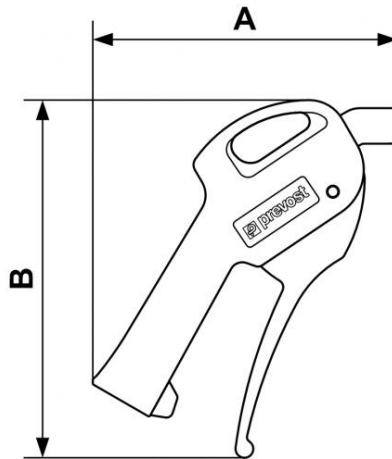
10 bar

Construction

Polyamide composite body

Description

Reference	Description	BSPP thread
27102 F18	Tapped body accomodates different types of nozzles	G 1/8 F



Dimensions

Reference	A mm	B mm
27102 F18	120	141