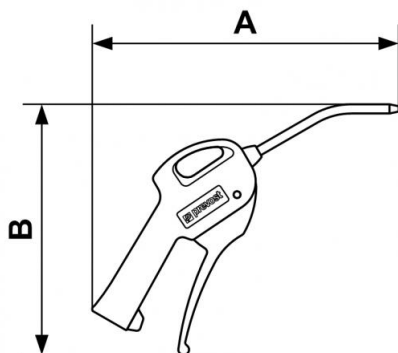


Blow gun with metal nozzle



<p><u>BSPF female thread</u></p> <p>G 1/4</p>	<p><u>Air consumption (at 6 bar (Nm3/h))</u></p> <p>23</p>	<p><u>Sound level (a 6 bar(dBA))</u></p> <p>83</p>	<p><u>Nozzle length (mm)</u></p> <p>110</p>
<p><u>Max operating pressure</u></p> <p>10 bar</p>	<p><u>Construction</u></p> <p>Polyamide composite body</p>	<p><u>Highlight</u></p> <p>Adjust gradually blowing</p>	

Description				
Reference	BSPF female thread	Air consumption (at 6 bar (Nm3/h))	Sound level (a 6 bar(dBA))	Nozzle length (mm)
27102 MTL	G 1/4	23	83	110
27102 MTLBP3	G 1/4	9	73	110



Dimensions

Reference	A mm	B mm
27102 MTL	200	164
27102 MTLBP3	200	164