

Parallel female / female extender - A6



Female thread

M5

BSPF female thread

G 1/8

Operating pressure

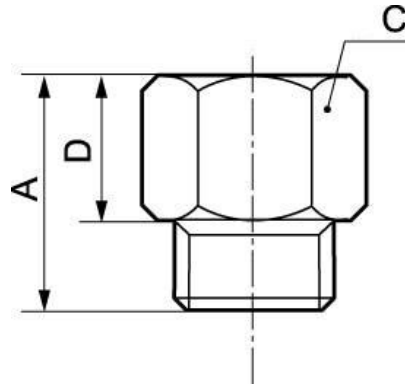
0 to 15 bar

Construction

Brass and nickel-plated
brass

Description

Reference	Female thread	BSPF female thread
A6 M518	M5	G 1/8
A6 1814	G 1/8	G 1/4
A6 1838	G 1/8	G 3/8
A6 1438	G 1/4	G 3/8
A6 1412	G 1/4	G 1/2
A6 3812	G 3/8	G 1/2



Dimensions

Reference	A mm	C mm	D mm
A6 M518	13.5	14	10.5
A6 1814	21.5	17	15.5
A6 1838	23.5	22	15.5
A6 1438	25.5	22	16.5
A6 1412	28.5	24	19.5
A6 3812	29.5	24	18.5