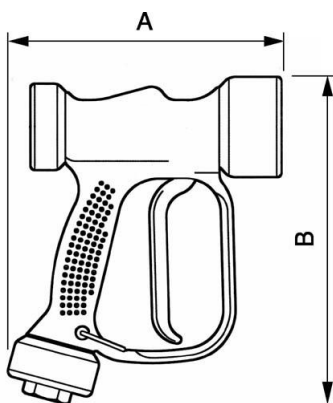


Industrial wash gun



Description						
Reference	BSPP female thread	Flow rate	Max operating pressure (bar)	Temperature (max (°C))	Construction	Weight (g)
PL JET	G 1/2	60 l/min at 24 bar 40 l/min at 10 bar	24	60 (continued use) +90 (occasional use)	Brass gun with polyamid coating	950



Dimensions

Reference	A mm	B mm
PL JET	162	216