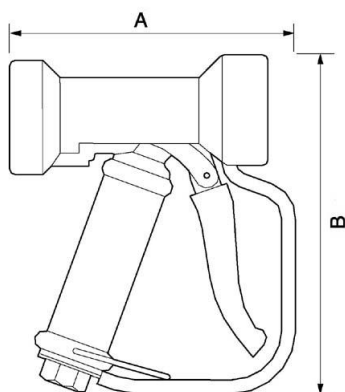


## 316 stainless steel wash gun



Description						
Reference	BSPP female thread	Flow rate	Max operating pressure (bar)	Temperature (max (°C))	Construction	Weight (g)
<b>PL JETI</b>	G 1/2	60 l/min at 20 bar 43 l/min at 10 bar	24	95	316 stainless steel wash gun with EDPM rubber coating	925



### Dimensions

Reference	A mm	B mm
<b>PL JETI</b>	159	189