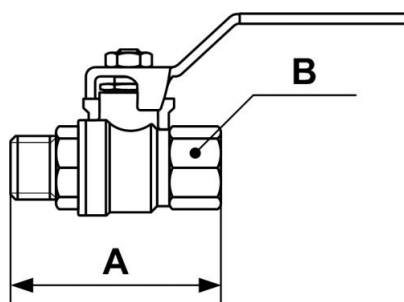


## RSIM - Parallel brass lever ball male-female valves PN 40



| Description     |                  |                    |                              |
|-----------------|------------------|--------------------|------------------------------|
| Reference       | BSPM male thread | BSPF female thread | Max operating pressure (bar) |
| <b>RSIMF 13</b> | G 1/4            | G 1/4              | 40                           |
| <b>RSIMF 17</b> | G 3/8            | G 3/8              | 40                           |
| <b>RSIMF 21</b> | G 1/2            | G 1/2              | 40                           |
| <b>RSIMF 27</b> | G 3/4            | G 3/4              | 40                           |
| <b>RSIMF 34</b> | G 1              | G 1                | 40                           |



### Dimensions

| Reference       | A mm | B mm |
|-----------------|------|------|
| <b>RSIMF 13</b> | 39   | 20   |
| <b>RSIMF 17</b> | 39   | 20   |
| <b>RSIMF 21</b> | 50   | 25   |
| <b>RSIMF 27</b> | 54   | 31   |
| <b>RSIMF 34</b> | 67   | 38   |