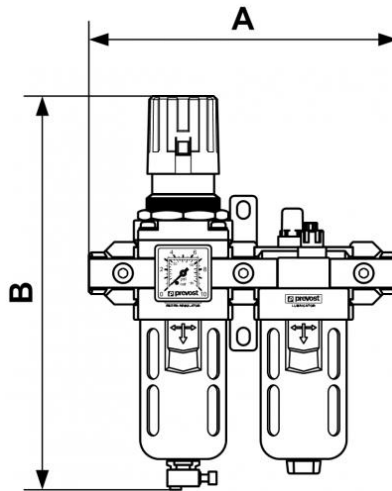


ALTO 3 - 2-piece-set - Filter-Regulator-Lubricator (gauge included) with wall bracket and quick connections



<u>BSPF female thread</u> G 1/2	<u>Flow rate (l/min at 7 bar ΔP : 1bar)</u> 2800	<u>Max operating pressure (bar)</u> 12	<u>Filtration (μm)</u> 25
<u>Temperature</u> +5°C to +50 °C	<u>Construction</u> Body : Aluminium Polycarbonate bowl with metallic protection	<u>Equipped with</u> Manual drain	

Description				
Reference	BSPF female thread	Flow rate (l/min at 7 bar ΔP : 1bar)	Max operating pressure (bar)	Filtration (μm)
TB PSM3	G 1/2	2800	12	25



Dimensions

Reference	A mm	B mm
TB PSM3	220	280