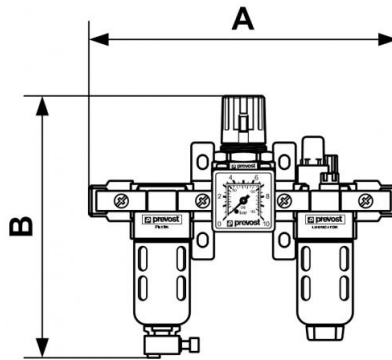


## ALTO 1 - 3-piece-set - Filter-Regulator-Lubricator (gauge included) with wall bracket and quick connections



<p><b><u>BSPF female thread</u></b> G 1/4</p>	<p><b><u>Flow rate (l/min at 7 bar ΔP : 1bar)</u></b> 500</p>	<p><b><u>Max operating pressure (bar)</u></b> 10</p>	<p><b><u>Filtration (μm)</u></b> 25</p>
<p><b><u>Temperature</u></b> +5°C to +50 °C</p>	<p><b><u>Construction</u></b> Body : Aluminium Polycarbonate bowl with metallic protection</p>	<p><b><u>Equipped with</u></b> Manual drain</p>	

Description				
Reference	BSPF female thread	Flow rate (l/min at 7 bar &#916;P : 1bar)	Max operating pressure (bar)	Filtration (μm)
TT PSM1	G 1/4	500	10	25



### Dimensions

Reference	A mm	B mm
<b>TT PSM1</b>	200	170