

Tapered male thread adaptor



BSPT male thread

R 1/4

Profile

Asian

ID Passage

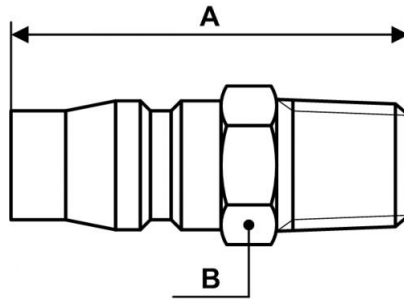
8 mm

Construction

Treated steel Corrosion-proof treatment

Description

Reference	BSPT male thread
ORP 086161	R 1/4
ORP 086162	R 3/8



Dimensions

Reference	A mm	B mm
ORP 086161	42	14
ORP 086162	42	17