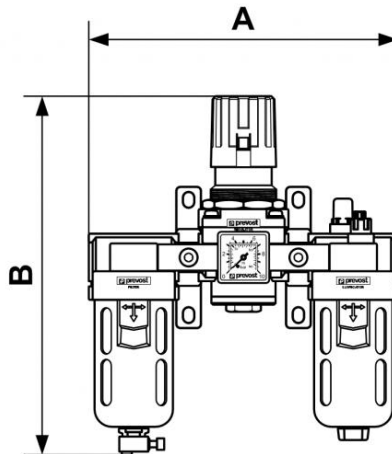


# ALTO 3 - 3-piece-set - Filter-Regulator-Lubricator (gauge included) with wall bracket



<u><b>BSPF female thread</b></u> G 1/2	<u><b>Flow rate (l/min at 7 bar ΔP : 1bar)</b></u> 3500	<u><b>Max operating pressure (bar)</b></u> 12	<u><b>Filtration (μm)</b></u> 25
<u><b>Temperature</b></u> +5°C to +50 °C	<u><b>Construction</b></u> Body : Aluminium Polycarbonate bowl with metallic protection	<u><b>Equipped with</b></u> Manual drain	

Description				
Reference	BSPF female thread	Flow rate (l/min at 7 bar &#916;P : 1bar)	Max operating pressure (bar)	Filtration (μm)
<b>TT SM3</b>	G 1/2	3500	12	25



### Dimensions

Reference	A mm	B mm
<b>TT SM3</b>	241	280