

ALTO 3 - Filter-Regulator (gauge included) with wall bracket and quick connections



BSPF female thread

G 1/2

Flow rate (l/min at 7 bar ΔP : 1bar)

3000

Max operating pressure (bar)

12

Filtration (µm)

25

Temperature

+5°C to +50 °C

Construction

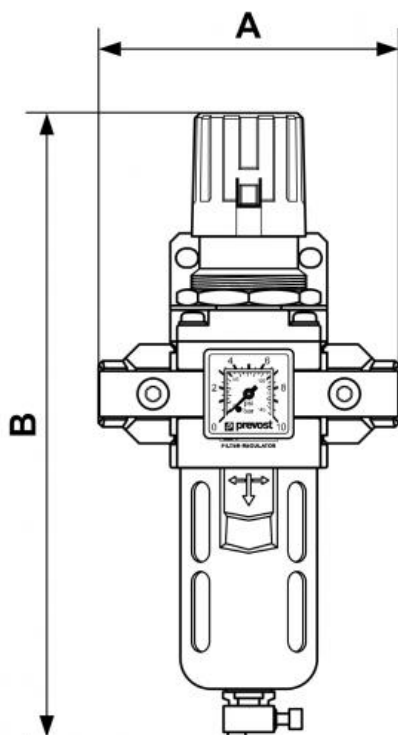
Body : Aluminium
Polycarbonate bowl with metallic protection

Equipped with

Manual drain

Description

Reference	BSPP female thread	Flow rate (l/min at 7 bar ΔP : 1bar)	Max operating pressure (bar)	Filtration (μ m)
TM PSM3	G 1/2	3000	12	25



Dimensions

Reference	A mm	B mm
TM PSM3	134	280