

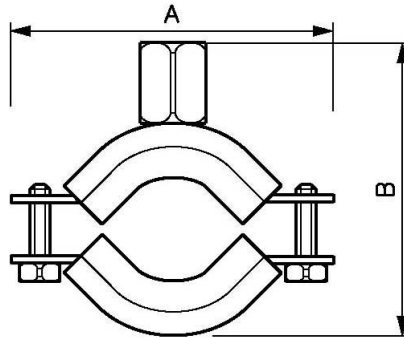
## M8 thread hanger



<p><b><u>For tube OD (mm)</u></b> 20</p>	<p><b><u>Length (m)</u></b> 1</p>	<p><b><u>Temperature</u></b> -30°C to +80°C</p>	<p><b><u>Construction</u></b> Aluminium pipe and composite fittings</p>
<p><b><u>Highlight</u></b> Scalable system</p>			

Description		
Reference	For tube OD (mm)	Length (m)
CPF 20	20	1
CPF 25	25	2
CPF 32	32	5.5
CPF 40	40	5.5
CPF 50	50	2
CPF 63	63	2
CPF 80	80	2

Reference	For tube OD (mm)	Length (m)
<b>CPF 100</b>	100	-
<b>CPF 160</b>	160	-



### Dimensions

Reference	A mm	B mm
<b>CPF 20</b>	64	51
<b>CPF 25</b>	70	52
<b>CPF 32</b>	78	60
<b>CPF 40</b>	91	67
<b>CPF 50</b>	100	73
<b>CPF 63</b>	102	83
<b>CPF 80</b>	124	116
<b>CPF 100</b>		
<b>CPF 160</b>		