

Straight plug parallel female thread



BSPP female thread

G 1/2

Max operating pressure

10 bar

Flow rate

85 l/min ($\Delta P = 0,5\text{bar}$)

ID Passage

12 mm

Temperature

-15°C to +90°C

Construction

Body: nickel-plated brass

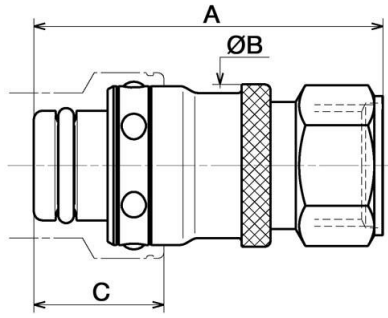
Description

Reference

CPI 126103

BSPP female thread

G 1/2



Dimensions

Reference	A mm	B mm	C mm
CPI 126103	50	28	22.4