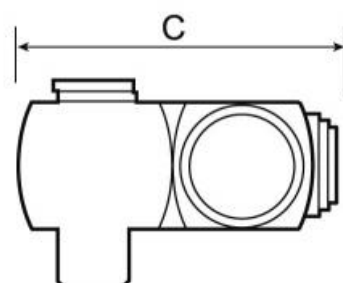
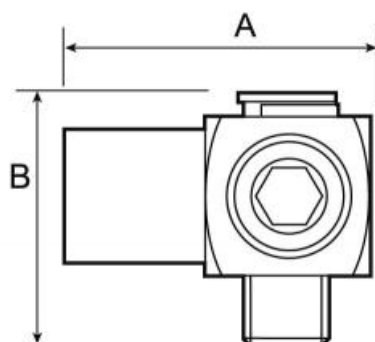


Bi-directional fitting for pneumatic tools



| Description | |
|---------------|--|
| Reference | Description |
| OP BDM | (1) 360° bi-directional fitting with manometer 0 to 10 bar |
| OP BD | (2) 360° bi-directional fitting |



Dimensions

| Reference | A mm | B mm | C mm |
|---------------|------|------|------|
| OP BDM | 35 | 42.5 | 43 |
| OP BD | 43 | 43 | 43 |