

Equal tee - RO9



For tube OD (mm)

4

Max operating pressure

60 bar

Temperature

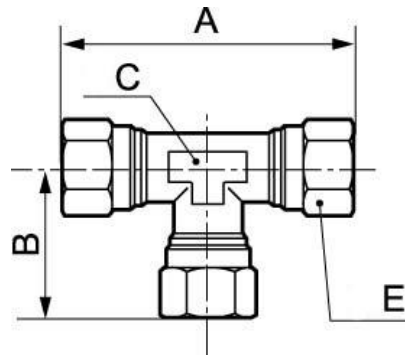
-40°C to +240°C

Construction

Nickel-plated brass

Description

Reference	For tube OD (mm)
RO9 4	4
RO9 6	6
RO9 8	8
RO9 10	10
RO9 12	12



Dimensions

Reference	A mm	B mm	C mm	E mm
RO9 4	43	21.5	9	10
RO9 6	44	22	9	12
RO9 8	48	24	11	14
RO9 10	64	32	13	19
RO9 12	67	33.5	15	22