

## Parallel male thread silencer - PPB



### BSPB male thread

G 1/8

### Max operating pressure

12 bar

### Construction

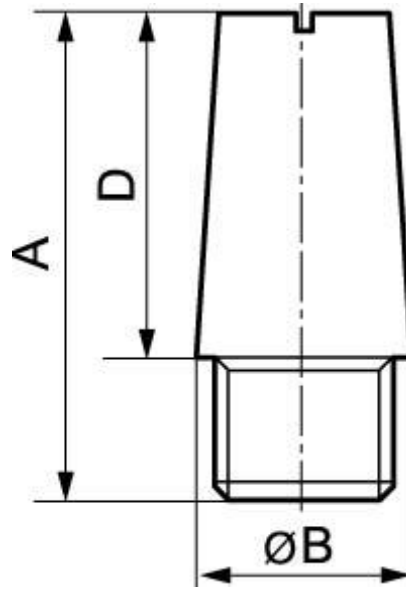
Sintered bronze filter element excepted partnr.PPP

### Highlight

Lowering of sound level

## Description

Reference	BSPB male thread
<b>PPB 18</b>	G 1/8
<b>PPB 14</b>	G 1/4
<b>PPB 38</b>	G 3/8
<b>PPB 12</b>	G 1/2
<b>PPB 34</b>	G 3/4
<b>PPB 01</b>	G 1



### Dimensions

Reference	A mm	B mm	D mm
<b>PPB 18</b>	21	11	16
<b>PPB 14</b>	27	14	19
<b>PPB 38</b>	37	19	28
<b>PPB 12</b>	42	22	33
<b>PPB 34</b>	55.5	28.5	40
<b>PPB 01</b>	70	38	54