

## Plug 90° for hose



For hose ID (mm)

8

Max operating pressure

10 bar

Flow rate

30 l/min ( $\Delta P = 0,5\text{bar}$ )

ID Passage

8 mm

Temperature

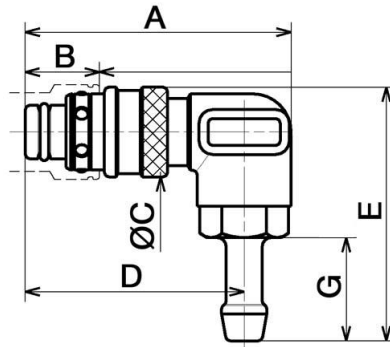
-15°C to +90°C

Construction

Body: nickel-plated brass

### Description

Reference	For hose ID (mm)
<b>CPI 086808RE</b>	8
<b>CPI 086810RE</b>	10
<b>CPI 086812RE</b>	12



### Dimensions

Reference	A mm	B mm	C mm	D mm	E mm
<b>CPI 086808RE</b>	59	16.4	20	48.5	56.5
<b>CPI 086810RE</b>	56	16.4	20	48.5	43
<b>CPI 086812RE</b>	59	16.4	20	48.5	48