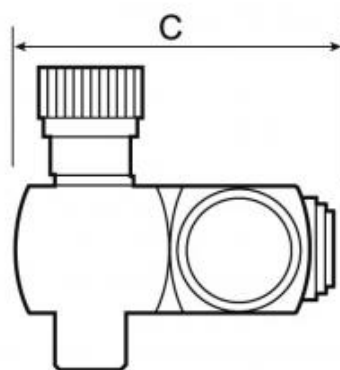
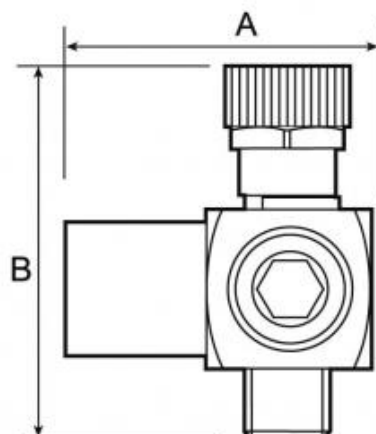


Bi-directional fitting with regulator for pneumatic tools



Description	
Reference	Description
OP BDMR	(1) 360° bi-directionnal fitting with regulator and manometer 0 to 10 bar
OP BDR	(2) 360° bi-directionnal fitting with regulator



Dimensions

Reference	A mm	B mm	C mm
OP BDMR	36	64	43.5
OP BDR	43	57	43