

Parallel hexagonal male plug with seal - A7 J



Male thread

M5

Tightening

2.5 mm Allen key

Operating pressure

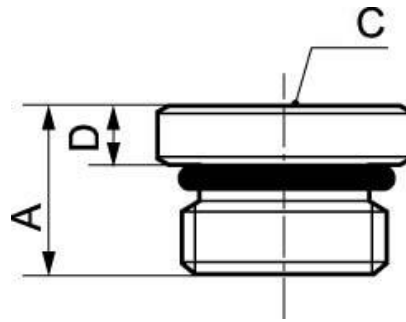
0 to 15 bar

Construction

Brass and nickel-plated
brass

Description

Reference	Male thread	Tightening
A7 M5J	M5	2.5 mm Allen key
A7 18J	G 1/8	5 mm Allen key
A7 14J	G 1/4	6 mm Allen key
A7 38J	G 3/8	8 mm Allen key
A7 12J	G 1/2	10 mm Allen key



Dimensions

Reference	A mm	C mm	D mm
A7 M5J	6.5	2.5	2.5
A7 18J	9.5	3	2.5
A7 14J	11	6	3
A7 38J	12.5	8	3.5
A7 12J	14.5	10	3.5