

Plug 135° parallel female thread



BSPF female thread

G 1/4

Max operating pressure

10 bar

Flow rate

30 l/min ($\Delta P = 0,5\text{bar}$)

ID Passage

8 mm

Temperature

-15°C to +90°C

Construction

Body: nickel-plated brass

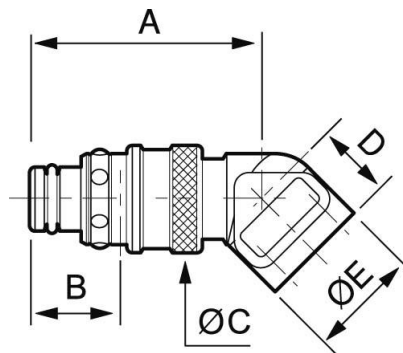
Description

Reference

CPI 086101RO

BSPF female thread

G 1/4



Dimensions

Reference	A mm	B mm	C mm	D mm	E mm
CPI 086101RO	43	16.4	20	14	20.8