

Plug 90° for self-locking hose



For hose ID (mm)

13

Max operating

pressure

10 bar

Flow rate

85 l/min ($\Delta P = 0,5\text{bar}$)

ID Passage

12 mm

Temperature

-15°C to +90°C

Construction

Body: nickel-plated brass

Description

Reference

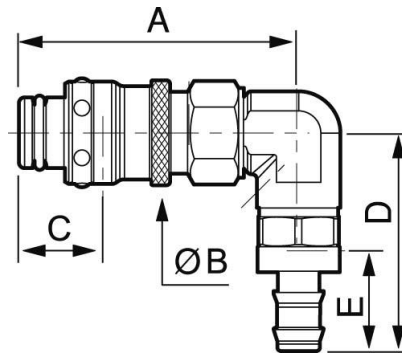
For hose ID (mm)

CPI 126813CNRE

13

CPI 126816CNRE

16



Dimensions

Reference	A mm	B mm	C mm	D mm	E mm
CPI 126813CNRE	74.5	28	22.4	59.5	28
CPI 126816CNRE	74.5	28	22.4	66.5	35.5