

## Plug 90° for hose



**For hose ID (mm)**

13

**Max operating pressure**

10 bar

**Flow rate**

85 l/min ( $\Delta P = 0,5\text{bar}$ )

**ID Passage**

12 mm

**Temperature**

-15°C to +90°C

**Construction**

Body: nickel-plated brass

### Description

Reference

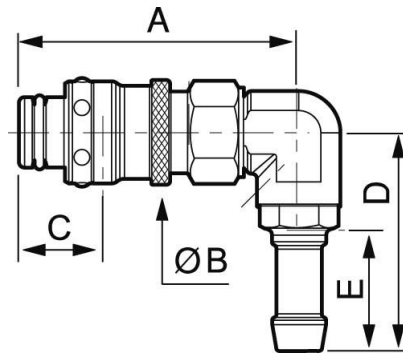
For hose ID (mm)

**CPI 126813RE**

13

**CPI 126816RE**

16



### Dimensions

| Reference               | A mm | B mm | C mm | D mm | E mm |
|-------------------------|------|------|------|------|------|
| <b>CPI<br/>126813RE</b> | 74.5 | 28   | 22.4 | 60   | 33   |
| <b>CPI<br/>126816RE</b> | 74.5 | 28   | 22.4 | 60   | 33   |