

## ALTO 4 - 3-piece-set - Filter regulator/lubricator (gauge included)



**BSPF female thread**

G 3/4

**Flow rate (l/min at 7 bar ΔP)**

1bar) = 4000

**Max operating pressure (bar)**

12

**Filtration (μm)**

25

**Temperature**

+5°C to +50 °C

**Construction**

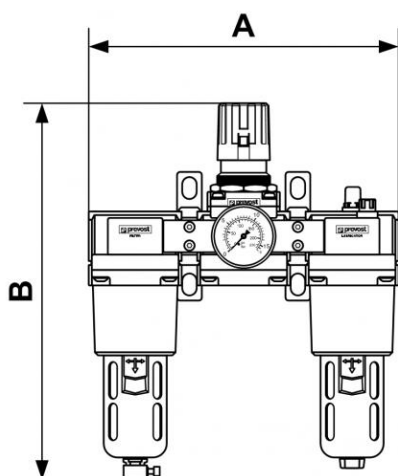
Body : Aluminium  
Polycarbonate bowl with metallic protection

**Equipped with**

Manual drain

### Description

Reference	BSPF female thread	Flow rate (l/min at 7 bar ΔP)	Max operating pressure (bar)	Filtration (μm)
<b>TT SM4</b>	G 3/4	1bar) = 4000	12	25
<b>TT SM5</b>	G 1	1bar) = 5000	12	25



### Dimensions

Reference	A mm	B mm
<b>TT SM4</b>	295	360
<b>TT SM5</b>	295	360