

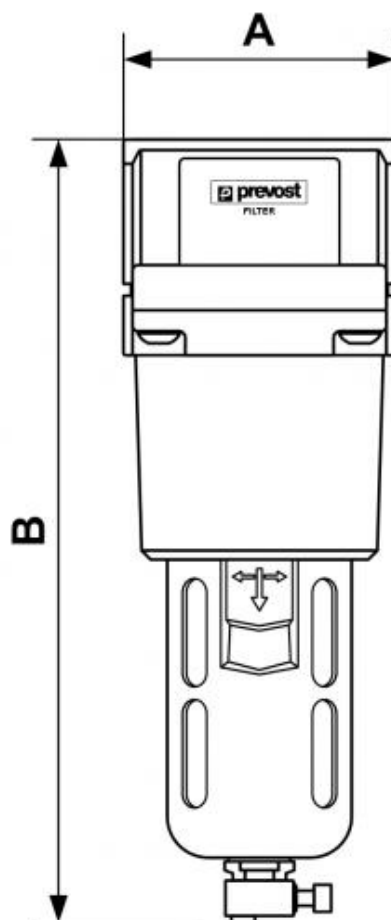
ALTO 4 - Filter 25 μm



<p><u>BSPF female thread</u></p> <p>G 3/4</p>	<p><u>Flow rate (l/min at 6 bar ΔP : 0.3bar)</u></p> <p>5000</p>	<p><u>Max operating pressure (bar)</u></p> <p>12</p>	<p><u>Filtration (μm)</u></p> <p>25</p>
<p><u>Temperature</u></p> <p>+5°C to +50 °C</p>	<p><u>Construction</u></p> <p>Body : Aluminium</p> <p>Polycarbonate bowl with metallic protection</p>	<p><u>Equipped with</u></p> <p>Manual drain</p>	

Description				
Reference	BSPF female thread	Flow rate (l/min at 6 bar ΔP : 0.3bar)	Max operating pressure (bar)	Filtration (μm)
TF 4	G 3/4	5000	12	25

Reference	BSPP female thread	Flow rate (l/min at 6 bar ΔP : 0.3bar)	Max operating pressure (bar)	Filtration (μ m)
TF 5	G 1	6500	12	25



Dimensions

Reference	A mm	B mm
TF 4	90	260
TF 5	90	260