

ALTO 4 - Regulator



BSPP female thread

G 3/4

Flow rate (l/min at 7 bar ΔP

1 bar) = 5000

Operating pressure (bar)

Inlet: 15 Outlet: 0.5-10

Temperature

+5°C to +50 °C

Construction

Body : Aluminium

Polycarbonate bowl with metallic protection

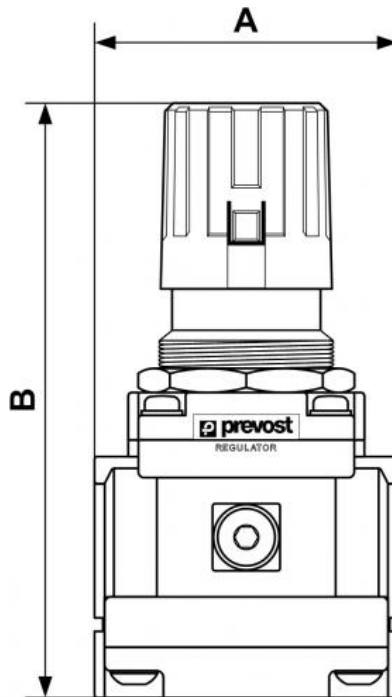
Equipped with

Manual drain

Description

Reference	BSPP female thread	Flow rate (l/min at 7 bar ΔP	Operating pressure (bar)	Flow rate (l/min at 7 bar ΔP : 1 bar)
TR 4	G 3/4	1 bar) = 5000	Inlet: 15 Outlet: 0.5-10	6000

Reference	BSPP female thread	Flow rate (l/min at 7 bar ΔP)	Operating pressure (bar)	Flow rate (l/min at 7 bar ΔP ; P : 1 bar)
TR 5	G 1		Inlet: 15 Outlet: 0.5-10	



Dimensions

Reference	A mm	B mm
TR 4	90	177
TR 5	90	177