

## Connector - RPJ PG



### Metric male thread

M5

### Fitting ID (mm)

4

### Operating pressure

0 to 10 bar

### Temperature

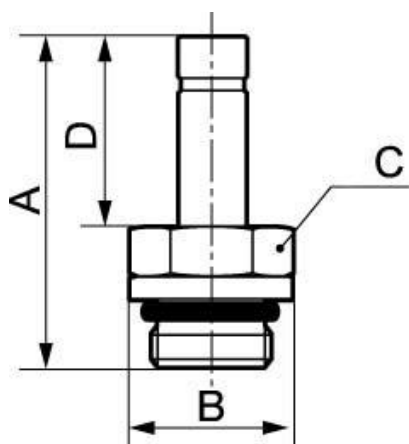
0°C to + 60°C

### Construction

Polymer and nickel-plated  
brass

## Description

Reference	Metric male thread	Fitting ID (mm)
<b>RPJ PG04M5</b>	M5	4
<b>RPJ PG05M5</b>	M5	5
<b>RPJ PG06M5</b>	M5	6



### Dimensions

Reference	A mm	B mm	C mm	D mm
<b>RPJ PG04M5</b>	27	10.4	9	18
<b>RPJ PG05M5</b>	27	9.2	8	18
<b>RPJ PG06M5</b>	27	11.5	10	18