

# Parallel male regulator with adjusting knob - Cylinder supply - RPM IG



### BSPM male thread

G 1/8

### For tube OD (mm)

4

### Operating pressure

0 to 10 bar

### Temperature

0°C to + 60°C

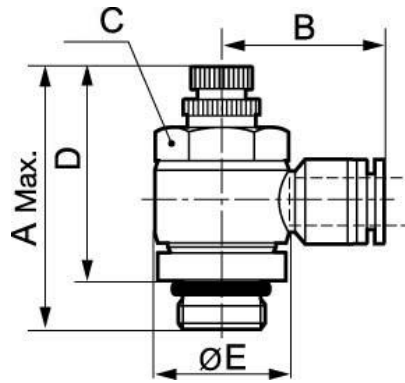
### Construction

Polymer and nickel-plated  
brass

## Description

Reference	BSPM male thread	For tube OD (mm)
RPM IG0400	G 1/8	4
RPM IG0401	G 1/4	4
RPM IG0600	G 1/8	6
RPM IG0601	G 1/4	6
RPM IG0602	G 3/8	6

Reference	BSPB male thread	For tube OD (mm)
RPM IG0603	G 1/2	6
RPM IG0800	G 1/8	8
RPM IG0801	G 1/4	8
RPM IG0802	G 3/8	8
RPM IG0803	G 1/2	8
RPM IG1000	G 1/8	10
RPM IG1001	G 1/4	10
RPM IG1002	G 3/8	10
RPM IG1003	G 1/2	10
RPM IG1201	G 1/4	12
RPM IG1202	G 3/8	12
RPM IG1203	G 1/2	12



### Dimensions

Reference	A mm	B mm	C mm	D mm	E mm
RPM IG0400	40	21.8	10	34.5	14.5
RPM IG0401	47	24	14	41	18.2
RPM IG0600	40	23	10	34.5	14.5
RPM IG0601	47	25.5	14	41	18.2
RPM IG0602	59	27.1	19	52.5	22
RPM IG0603	63	30.1	24	55	27.4
RPM IG0800	40	24.6	10	34.5	14.5
RPM IG0801	47	26.8	14	41	18.2
RPM IG0802	59	28.8	19	52.5	22
RPM IG0803	63	30.5	24	55	27.4
RPM IG1000	40	28.5	10	34.5	14.5
RPM IG1001	47	31	14	41	18.2
RPM IG1002	59	31	19	52.5	22
RPM IG1003	63	34	24	55	27.4
RPM IG1201	47	31.8	14	41	18.2
RPM IG1202	59	34	19	52.5	22

Reference	A mm	B mm	C mm	D mm	E mm
<b>RPM IG1203</b>	63	35.8	24	55	27.4