

Unidirectional regulator - Parallel male thread/Parallel male thread - RPL DG



BSPB male thread

G 1/8

Operating pressure

0 to 10 bar

Temperature

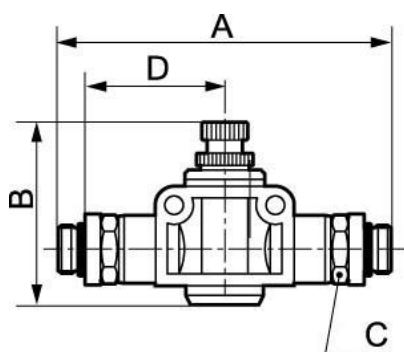
0°C to + 60°C

Construction

Polymer and nickel-plated
brass

Description

Reference	BSPB male thread
RPL DG0000	G 1/8
RPL DG0101	G 1/4
RPL DG0202	G 3/8
RPL DG0303	G 1/2



Dimensions

Reference	A mm	B mm	C mm	D mm
RPL DG0000	49	43	12	19
RPL DG0101	55	43	14	21.5
RPL DG0202	63	43	17	25
RPL DG0303	75	43	21	29.5