

## Unidirectional regulator - Tube/Tube - RPL ET



For tube OD (mm)

4

Operating pressure

0 to 10 bar

Temperature

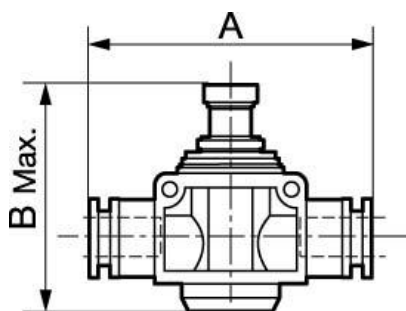
0°C to + 60°C

Construction

Polymer and nickel-plated  
brass

### Description

Reference	For tube OD (mm)
RPL ET0404	4
RPL ET0606	6
RPL ET0808	8
RPL ET1010	10
RPL ET1212	12



### Dimensions

Reference	A mm	B mm
RPL ET0404	38	29
RPL ET0606	49	43
RPL ET0808	55.1	48
RPL ET1010	63	54
RPL ET1212	75	58