

## Parallel male regulator with adjusting knob - Cylinder exhaust - RPM OG



**Metric male thread**

M5

**For tube OD (mm)**

4

**Operating pressure**

0 to 10 bar

**Temperature**

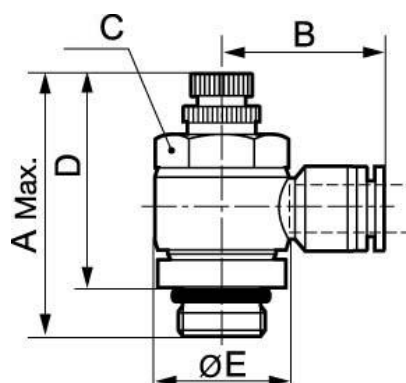
0°C to + 60°C

**Construction**

Polymer and nickel-plated  
brass

### Description

Reference	Metric male thread	For tube OD (mm)
<b>RPM OG04M5</b>	M5	4
<b>RPM OG06M5</b>	M5	6



### Dimensions

Reference	A mm	B mm	C mm	D mm	E mm
<b>RPM OG04M5</b>	31	19.7	8	27	10
<b>RPM OG06M5</b>	31	22.5	8	27	10