

Parallel male regulator with adjusting knob - Cylinder exhaust - RPM OG



BSPB male thread

G 1/8

For tube OD (mm)

4

Operating pressure

0 to 10 bar

Temperature

0°C to + 60°C

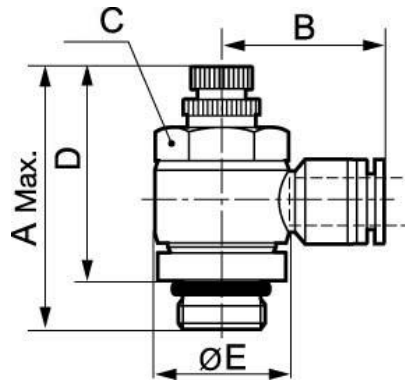
Construction

Polymer and nickel-plated
brass

Description

Reference	BSPB male thread	For tube OD (mm)
RPM OG0400	G 1/8	4
RPM OG0401	G 1/4	4
RPM OG0600	G 1/8	6
RPM OG0601	G 1/4	6
RPM OG0602	G 3/8	6

Reference	BSPB male thread	For tube OD (mm)
RPM OG0603	G 1/2	6
RPM OG0800	G 1/8	8
RPM OG0801	G 1/4	8
RPM OG0802	G 3/8	8
RPM OG0803	G 1/2	8
RPM OG1000	G 1/8	10
RPM OG1001	G 1/4	10
RPM OG1002	G 3/8	10
RPM OG1003	G 1/2	10
RPM OG1201	G 1/4	12
RPM OG1202	G 3/8	12
RPM OG1203	G 1/2	12



Dimensions

Reference	A mm	B mm	C mm	D mm	E mm
RPM OG0400	40	21.8	10	34.5	14.5
RPM OG0401	47	24	14	41	18.2
RPM OG0600	40	23	10	34.5	14.5
RPM OG0601	47	25.5	14	41	18.2
RPM OG0602	59	27.1	19	52.5	22
RPM OG0603	63	30.1	24	55	27.4
RPM OG0800	40	24.6	10	34.5	14.5
RPM OG0801	47	26.8	14	41	18.2
RPM OG0802	59	28.8	19	52.5	22
RPM OG0803	63	30.5	24	55	27.4
RPM OG1000	40	28.5	10	34.5	14.5
RPM OG1001	47	31	14	41	18.2
RPM OG1002	59	31	19	52.5	22
RPM OG1003	63	34	24	55	27.4
RPM OG1201	47	31.8	14	41	18.2
RPM OG1202	59	34	19	52.5	22

Reference	A mm	B mm	C mm	D mm	E mm
RPM OG1203	63	35.8	24	55	27.4