

Parallel male regulator with adjusting knob - Bidirectional - RPM BG



Metric male thread

M5

For tube OD (mm)

4

Operating pressure

0 to 10 bar

Temperature

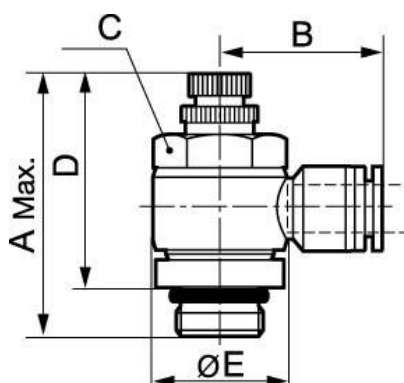
0°C to + 60°C

Construction

Polymer and nickel-plated
brass

Description

Reference	Metric male thread	For tube OD (mm)
RPM BG04M5	M5	4
RPM BG06M5	M5	6



Dimensions

Reference	A mm	B mm	C mm	D mm	E mm
RPM BG04M5	32	19.7	8	28	10
RPM BG06M5	32	22.5	8	28	10