

Three-port manifold for equal tubes - RPN ET



For tube OD (mm)

4

Operating pressure

0 to 10 bar

Temperature

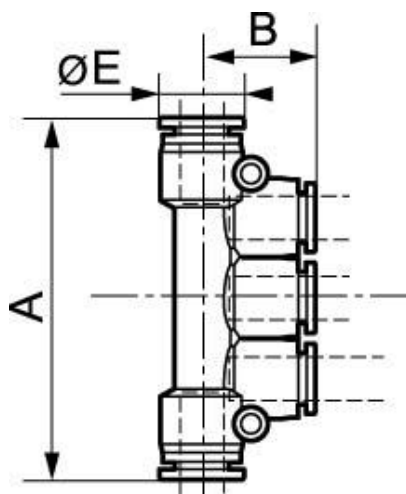
0°C to + 60°C

Construction

Polymer and nickel-plated
brass

Description

Reference	For tube OD (mm)
RPN ET0404	4
RPN ET0505	5
RPN ET0606	6
RPN ET0808	8



Dimensions

Reference	A mm	B mm	E mm
RPN ET0404	59	19.5	10
RPN ET0505	60.5	19.5	12.8
RPN ET0606	60.5	19.5	12.8
RPN ET0808	79.6	24	13.8