

Three-port manifold for unequal tubes - RPN IT



For tube OD (x2) (mm)

6

For tube OD (x3) (mm)

4

Operating pressure

0 to 10 bar

Temperature

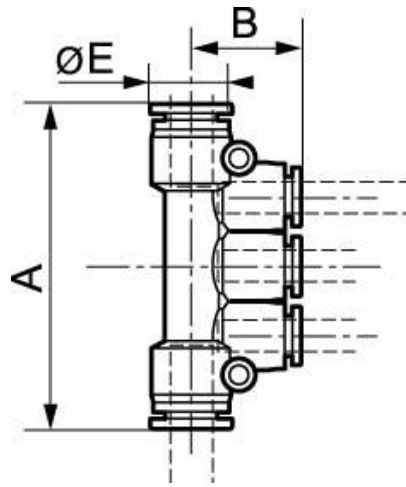
0°C to + 60°C

Construction

Polymer and nickel-plated
brass

Description

Reference	For tube OD (x2) (mm)	For tube OD (x3) (mm)
RPN IT0604	6	4
RPN IT0804	8	4
RPN IT0806	8	6
RPN IT1006	10	6
RPN IT1008	10	8



Dimensions

Reference	A mm	B mm	E mm
RPN IT0604	60.2	19.5	12.8
RPN IT0804	60.8	19.5	13.8
RPN IT0806	60.8	19.5	13.8
RPN IT1006	81	23	16.8
RPN IT1008	81	24	16.8