

Micro valve - Equal tubes - RPS ET



For tube OD (mm)

6

Operating pressure

0 to 10 bar

Temperature

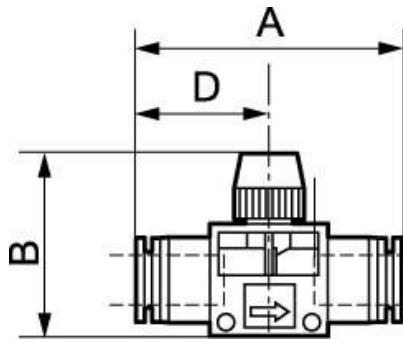
0°C to + 60°C

Construction

Polymer and nickel-plated brass

Description

Reference	For tube OD (mm)
RPS ET0606	6
RPS ET0808	8
RPS ET1010	10
RPS ET1212	12



Dimensions

Reference	A mm	B mm	D mm
RPS ET0606	51	40.3	25.5
RPS ET0808	51.6	40.3	25.8
RPS ET1010	62.2	44.5	31.1
RPS ET1212	63.6	44.5	31.8