

Tee with parallel male side leg - RPT AG



BSP male thread

G 1/8

For tube OD (mm)

4

Operating pressure

0 to 10 bar

Temperature

0°C to + 60°C

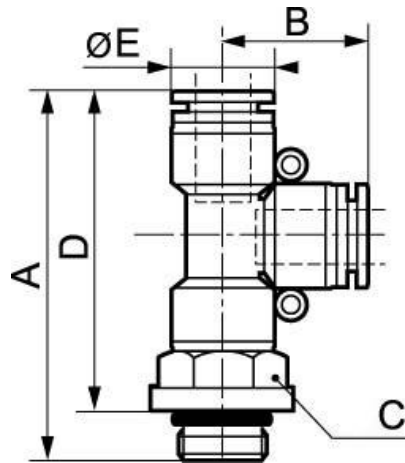
Construction

Polymer and nickel-plated
brass

Description

Reference	BSP male thread	For tube OD (mm)
RPT AG0400	G 1/8	4
RPT AG0401	G 1/4	4
RPT AG0500	G 1/8	5
RPT AG0501	G 1/4	5
RPT AG0502	G 3/8	5

Reference	BSPB male thread	For tube OD (mm)
RPT AG0503	G 1/2	5
RPT AG0600	G 1/8	6
RPT AG0601	G 1/4	6
RPT AG0602	G 3/8	6
RPT AG0603	G 1/2	6
RPT AG0800	G 1/8	8
RPT AG0801	G 1/4	8
RPT AG0802	G 3/8	8
RPT AG0803	G 1/2	8
RPT AG1000	G 1/8	10
RPT AG1001	G 1/4	10
RPT AG1002	G 3/8	10
RPT AG1003	G 1/2	10
RPT AG1201	G 1/4	12
RPT AG1202	G 3/8	12
RPT AG1203	G 1/2	12
RPT AG1402	G 3/8	14
RPT AG1403	G 1/2	14
RPT AG1602	G 3/8	16
RPT AG1603	G 1/2	16



Dimensions

Reference	A mm	B mm	C mm	D mm	E mm
RPT AG0400	41.1	17.5	12	35.6	10
RPT AG0401	41.5	17.5	14	35.5	10
RPT AG0500	47.5	20.5	12	42	12.8
RPT AG0501	48	20.5	14	42	12.8
RPT AG0502	49.5	20.5	17	43	12.8
RPT AG0503	50.5	20.5	21	42.5	12.8
RPT AG0600	47.5	20.5	12	42	12.8
RPT AG0601	48	20.5	14	42	12.8
RPT AG0602	49.5	20.5	17	43	12.8
RPT AG0603	50.5	20.5	21	42.5	12.8
RPT AG0800	52	22.5	14	46.5	13.8
RPT AG0801	52	22.5	14	46	13.8
RPT AG0802	53.5	22.5	17	47	13.8
RPT AG0803	54.5	22.5	21	46.5	13.8

Reference	A mm	B mm	C mm	D mm	E mm
RPT AG1000	60	26.3	17	54.5	16.8
RPT AG1001	60.5	26.3	17	54.5	16.8
RPT AG1002	60.5	26.3	17	54	16.8
RPT AG1003	61.5	26.3	21	53.5	16.8
RPT AG1201	62.8	27.8	19	56.8	19.8
RPT AG1202	62.3	27.8	19	55.8	19.8
RPT AG1203	63.3	27.8	21	55.3	19.8
RPT AG1402	70.3	31	22	63.8	22.7
RPT AG1403	69.5	31	22	61.5	22.7
RPT AG1602	75.3	32.3	24	68.8	23.8
RPT AG1603	72.8	32.3	24	64.8	23.8