

Union tee - RPT ET



For tube OD (mm)

4

Operating pressure

0 to 10 bar

Temperature

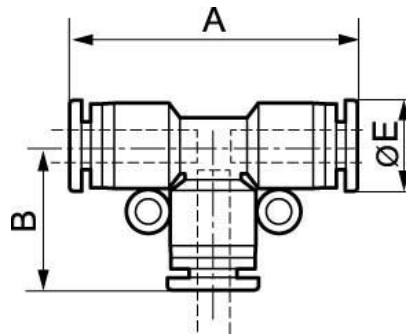
0°C to + 60°C

Construction

Polymer and nickel-plated
brass

Description

Reference	For tube OD (mm)
RPT ET0404	4
RPT ET0505	5
RPT ET0606	6
RPT ET0808	8
RPT ET1010	10
RPT ET1212	12
RPT ET1414	14
RPT ET1616	16



Dimensions

Reference	A mm	B mm	E mm
RPT ET0404	35	17.5	10
RPT ET0505	40	20	12.8
RPT ET0606	40	20	12.8
RPT ET0808	45.6	22.8	13.8
RPT ET1010	54	27	16.8
RPT ET1212	55.6	27.8	19.8
RPT ET1414	62	31	22.7
RPT ET1616	64	32	23.8